

# INSTALLATION INSTRUCTION

## SINGLE LEVER FREESTANDING BATH-SHOWER MIXER

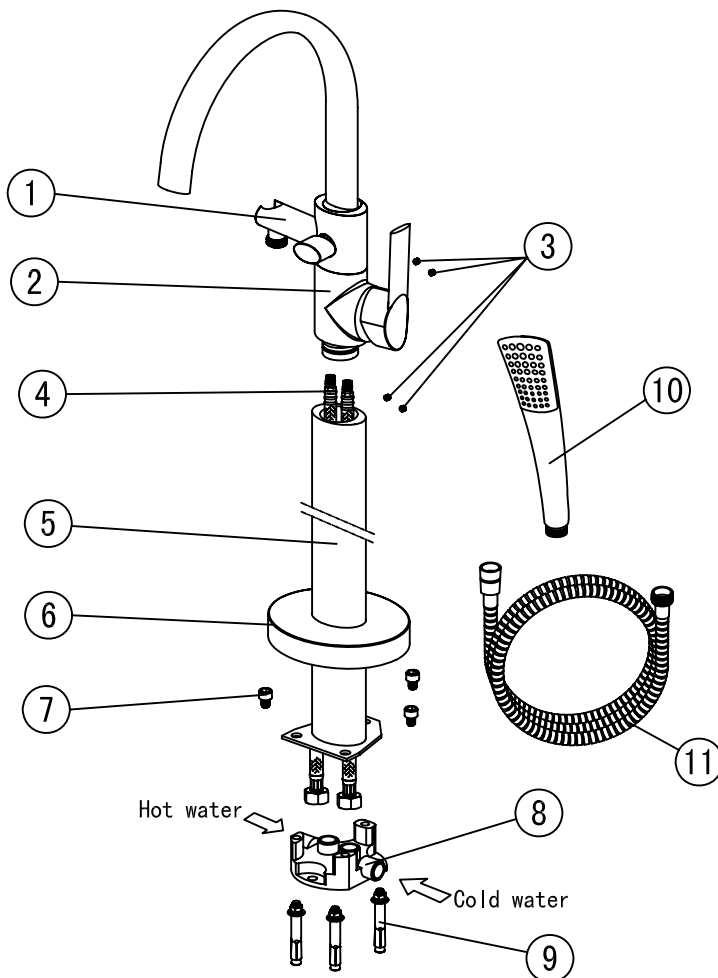
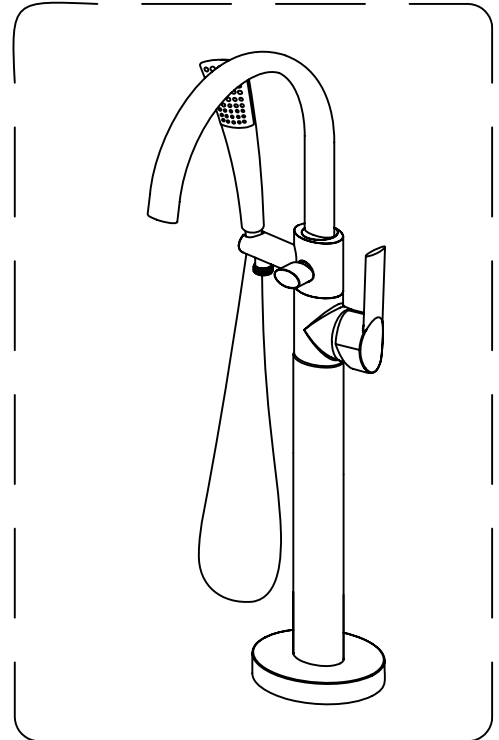
### ※ACCESSORIES CHECKING

#### LIST OF THE STANDARD ACCESSORIES:

Please double-check the accessory list hereinafter and contact our company or our distributor for any unconformity.

#### Remarks:

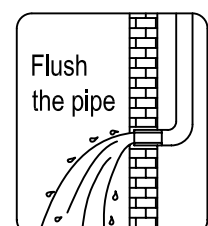
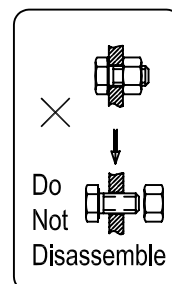
1. Without affecting their performing, accessories may be changed without further notice;
2. Drawings for reference only, Product size & shape refer to actual faucet;



Code	The Accessory List	Quantity
1	Shower holder	1
2	Main body	1
3	Six angle screw	6
4	Hose	2
5	Straight tube	1
6	Flange	1
7	Screw	3
8	Base	1
9	Screw	3
10	Hand shower	1
11	Shower hose	1

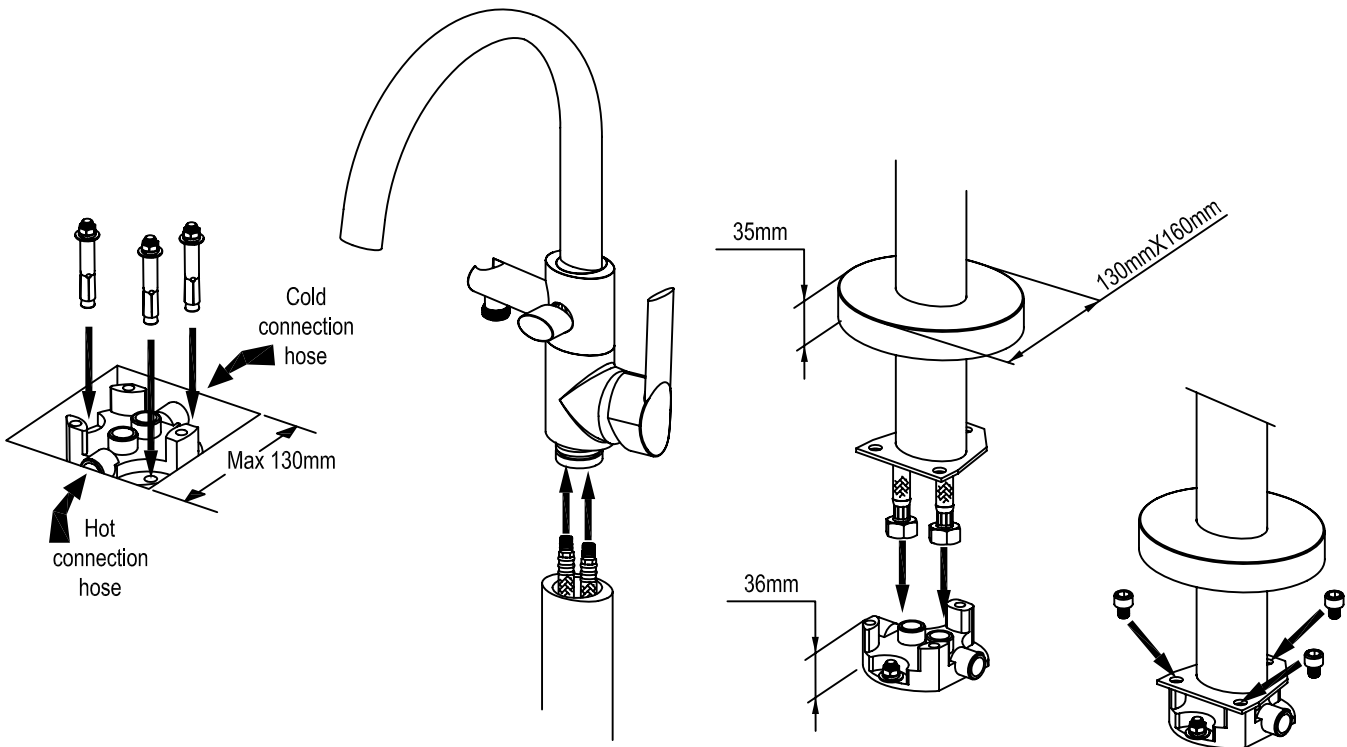
### ※Installation Instructions

- ☆ Do not disassemble the main body, as it has been installed & commissioned correctly & precisely before leaving the factory;
- ☆ To avoid the faucet from jamming, do flush the water pipe before installation;
- ☆ After installation, make sure every joint safely sealed & no leaking;
- ☆ Using condition: Working pressure at 0.05-1.0MPa (including cold & hot water pressure), with applicable water temperature: 4°C-90°C;
- ☆ Make sure to connect the hot/cold inlet pipe correctly, if standing in front, hot water pipe connecting to the left & cold water pipe connecting to the right.



## ※Installation Procedures

☆ Please install the connection hose into the wall according to the installation Procedures.



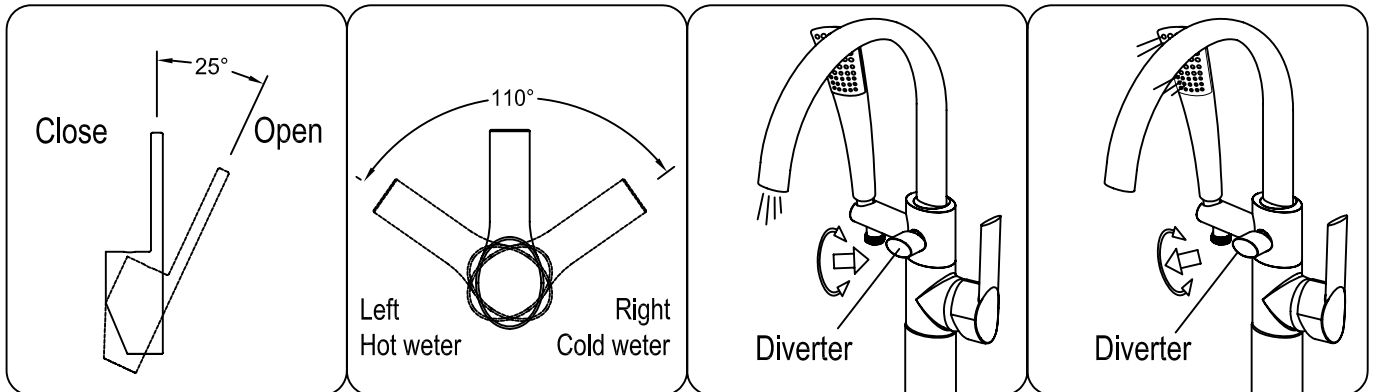
## ※Usage

☆ How to operate the handle

- 1) Raise the handle lever up for opening water; push it down for close.
- 2) Turn the handle lever to the left to increase hot water flow for higher water temperature, and lower water temperature by operating reversely.

☆ The diverter instruction:

1. Pull the diverter up and then the hand shower come out. Meanwhile the aerator turn off.
2. Contrarily fixing the diverter down, the aerator come out and then hand shower turn off.



## ※Cleaning & Maintenance

☆ To keep the product clean & shining, follow the as below:

1. Flush with clean water & dry with soft cloth only;
2. If any dirt, clean with soft liquid or transparent glass detergent;
3. Do not use any scrubbing detergent, polisher, sane-cloth, paper tissue or scraper;
4. Do not use acid detergent, indissolvable grain-like detergent or soap.

